

ALL IN ONE SOLAR STREET LIGHT

SPECIFICATION

(EBM SERIES)



SASO UN38.3 IP66



| | |
|----------------|---------------|
| Product Name | BM Series |
| Model Number | EBM-60 |
| Version Number | A version |
| Valid From | 2018 / 1 / 01 |

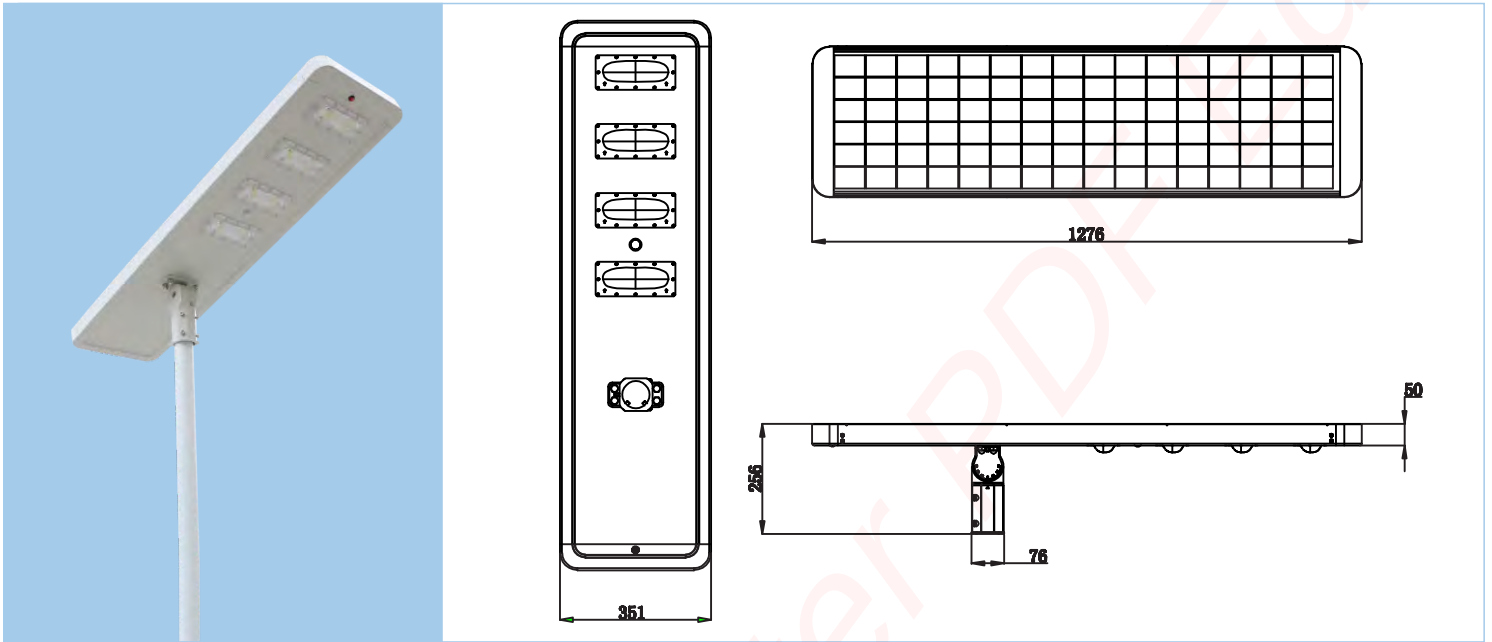
Parameters

| | |
|-----------------------------------|---|
| LED Chip | EBM-60 |
| Model No | Seoul/Nichia |
| Color Temperature | 5000K-6500K |
| Light Output | 60W |
| Light Efficacy | 8000lm |
| Solar Panel Power | 70W |
| Solar Panel (conversion rate) | 18% |
| Charging Time | 10-11 hours(6-7 hours full bright sun) |
| Working Time | Bright mode: 18 hours; DIM mode: 36 hours (3 rainy days backup) |
| DIM Mode | First 3 hours: full brightness, Last 9 hours in dimmable mode (5000lm with people, 1500lm without people) |
| Beam Angle | 157*60 degree |
| Lamp Angle | Ajustable multiple angles |
| Recommended Installation Height | 6-8 meters |
| Recommended Installation Distance | 25 meters |
| Required Pole Size | 60mm(top end) |
| Battery | 444WH |
| Warranty | 3 years |
| Working Temperature | -20 degree to 60 degree |

Features

- EMS Energy management sysetem,ensure 10 rainy day back up.
- Built-in MPPT technology to track the maximum sun for quick charging.
- 18 hours full brightness after full charge, or 36 hours in dimming mode.
- Pure aluminum extruded housing ,battery replaceable design.
- IP66 Waterproof and pass 16 grade wind proof test .
- Up to 9400 lumen(60W) High efficacy Nichia LED chip, 60000 hours/10 year lifetime.
- Ajustable multiple installation angles either for straight single arm pole or curve double arms.
- 3 year warranty, 6 years long lifetime battery, no problem with working in 50 degree ambient temperature.

Product Appearance



Applications

Widely used in the road, street, and factory, park road, rural, mountainous area and the remote area lighting project, courtyard, schools, square and other need to place for outdoor lighting.

